

HWT-D320-VF 2 MP EXIR VF Dome Camera



Key Features

- 2 MP high-performance CMOS
- 1920 × 1080 resolution
- 2.8 mm to 12 mm vari-focal lens
- Day/Night switch
- EXIR 2.0, smart IR, up to 40 m IR distance
- 4 in 1 video output (switchable TVI/AHD/CVI/CVBS)
- IP66, IK10



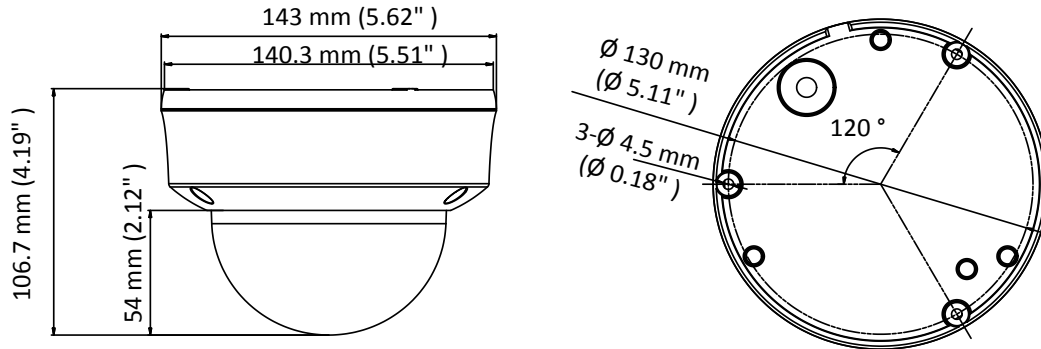
Specifications

| Camera | |
|--------------------------|--|
| Image Sensor | 2 MP CMOS image sensor |
| Signal System | PAL/NTSC |
| Resolution | 1920 (H) × 1080 (V) |
| Min. Illumination | 0.01 Lux@(F1.2, AGC ON), 0 Lux with IR |
| Shutter Time | 1/25 (1/30) s to 1/50,000 s |
| Lens | 2.8 mm to 12 mm |
| Horizontal Field of View | 111.5° to 33.4° |
| Lens Mount | Ø14 |
| Day & Night | IR cut filter |
| Angle Adjustment | Pan: 0° to 355°, Tilt: 0° to 75°, Rotation: 0° to 355° |
| Synchronization | Internal synchronization |
| Video Frame Rate | PAL:1080p@25fps NTSC: 1080p@30fps |
| Menu | |
| AGC | High/Medium/Low/Off |
| D/N Mode | Auto/Color/BW (Black and White) |
| BLC | Support |
| DWDR | Support |
| Language | English |
| Functions | Brightness, Sharpness, DNR, Mirror, Smart IR |
| Interface | |
| Video Output | 1 HD analog output |
| Switch Button | TVI/AHD/CVI/CVBS |
| General | |
| Operating Conditions | -40 °C to 60 °C (-40 °F to 140 °F), Humidity: 90% or less (non-condensation) |
| Power Supply | 12 VDC ±15% |
| Power Consumption | Max. 3.9 W |
| Protection Level | IP66, IK10 |
| Material | Metal |
| IR Range | Up to 40 m |
| Dimensions | Ø 130 mm × 143 mm (5.11" × 5.62") |
| Weight | 630 g (1.39 lb.) |

Order Model

HWT-D320-VF

Dimension



Accessories



DS-1273ZJ-140-DM45
Wall Mount



DS-1275ZJ
Vertical Pole Mount



DS-1276ZJ
Corner Mount



DS-1271ZJ-140-DM45
Pendant Mount



DS-1253ZJ-L
Rain Shade



DS-1280ZJ-DM45
Junction Box



DS-1281ZJ-DM45
Inclined Ceiling Mount

Distributed by



HIKVISION

Headquarters
No.555 Qianmo Road, Binjiang District,
Hangzhou 310051, China
T +86-571-8807-5998
overseasbusiness@hikvision.com

Hikvision USA
T +1-909-895-0400
sales.usa@hikvision.com

Hikvision Europe
T +31-23-55-42-770
info.eu@hikvision.com

Hikvision Middle East
T +971-4-8816086
salesme@hikvision.com

Hikvision Russia
T +7-495-669-67-99
saleru@hikvision.com

Hikvision India
T +91-22-28469900
sales@pramahikvision.com

Hikvision Italy
T +39-0438-6902
info.it@hikvision.com

Hikvision France
T +33(0)1-85-330-450
info.fr@hikvision.com

Hikvision Spain
T +34-91-737-16-55
info.es@hikvision.com

Hikvision Poland
T +48-22-460-01-50
poland@hikvision.com

Hikvision UK
T +01628-902140
support.uk@hikvision.com

Hikvision Singapore
T +65-6684-4718
sg@hikvision.com

Hikvision Oceania
T +61-2-8599-4233
salesau@hikvision.com

Hikvision Canada
T +1-909-895-0400
sales.usa@hikvision.com

Hikvision Korea
T +82-31-731-8841
sales.korea@hikvision.com

Hikvision Brazil
T +55 11 3318-0050
Latam.support@hikvision.com

Hikvision Africa
T +27 [10] 0351172
sale.africa@hikvision.com

Hikvision Hong Kong
T +852-2151-1761